

SWING BINS & WASTE BINS



6.9 LTR



GARBAGE BUCKET WITH LID & WITHOUT LID

ITEM CODE	CAPACITY	DIMENSION
GARBAGE BUCKET	6.900 LTR	27 (D) X 23 CM
GARBAGE BUCKET	10 LTR	27 (D) X 30 CM
GARBAGE BUCKET	12 LTR	28 (D) X 27 CM



10 LTR



12 LTR



APOLLO GARBAGE BUCKET

ITEM CODE	CAPACITY	DIMENSION
APOLLO GARBAGE BUCKET	11 ltr	28.5 (D) x 29.5 cm



SAFARI GARBAGE BUCKET

ITEM CODE	CAPACITY	DIMENSION
SAFARI GARBAGE BUCKET	11.5 ltr	28 (D) x 28.5 cm



UTILITY - 28

UTILITY - 16

UTILITY - 9

UTILITY - 5

UTILITY SWING BUCKETS

ITEM CODE	CAPACITY	DIMENSION
UTILITY - 5	4 ltr	21.4 x 16.2 x 25.5 cm
UTILITY - 9	7.5 ltr	25 x 19 x 32 cm
UTILITY - 16	14 ltr	29.3 x 22.5 x 40.5 cm
UTILITY - 28	24 ltr	34.5 x 26.2 x 49.5 cm



VENTO - 9

VENTO SWING BUCKETS

ITEM CODE	CAPACITY	DIMENSION
VENTO - 9	7.5 ltr	25 x 19 x 32 cm
VENTO - 16	14 ltr	29.3 x 22.5 x 40.5 cm
VENTO - 28	24 ltr	34.5 x 26.2 x 49.5 cm

VENTO - 16

VENTO - 28

DELTA PEDAL BUCKETS

ITEM CODE	CAPACITY	DIMENSION
DELTA PEDAL - SMALL	600 ml	10 (D) x 12 cm
DELTA PEDAL - BIG	1400 ml	13 (D) x 16 cm

DELTA PEDAL - BIG



DELTA PEDAL - SMALL



PEDAL107 (SMALL)

PEDAL109 (JUMBO)

PEDAL108 (BIG)

PEDAL BUCKETS PLAIN / PRT

ITEM CODE	CAPACITY	DIMENSION
PEDAL107 (SMALL)	5.75 ltr	24.5 (D) x 25 cm
PEDAL108 (BIG)	11.25 ltr	28.5 (D) x 33 cm
PEDAL109 (JUMBO)	14.5 ltr	30 (D) x 38 cm



EVERGREEN PEDAL BUCKETS

ITEM CODE	CAPACITY	DIMENSION
EVERGREEN 1	5.7 ltr	23 (D) x 26 cm
EVERGREEN 2	8.0 ltr	26 (D) x 28 cm
EVERGREEN 3	11.2 ltr	30 (D) x 32 cm



SPLASH PEDAL BUCKET

ITEM CODE	CAPACITY	DIMENSION
SPLASH PEDAL BUCKET	12 ltr	24 x 31 x 37.5 cm
SPLASH PEDAL BUCKET	25 ltr	31 x 39.5 x 46.5 cm

SPLASH BIOMEDICAL COLORS

TWIN PEDAL DUSTBIN 20

ITEM CODE	CAPACITY	DIMENSION
TWIN 20	20 ltr	27 x 35.4 x 42 cm
		Container 24 x 16.8 x 36 cm



TWIN PUSH & PEDAL DUSTBIN 20

ITEM CODE	CAPACITY	DIMENSION
TWIN 20	20 ltr	27 x 35.4 x 42 cm
		Container 24 x 16.8 x 36 cm



Dual dustbins in 1 compartment with a capacity of 10 ltr each.  
Removable inner bins for easy emptying.



SWING - 80



SWING - 60



SWING - 32



SWING - 25

SWING BUCKETS

ITEM CODE	CAPACITY	DIMENSION
SWING - 25	25 LTR	37.5 (D) X 49 CM
SWING - 32	32 LTR	38 (D) X 53.6 CM
SWING - 60	60 LTR	47.5 (D) X 69.5 CM
SWING - 80	80 LTR	51 (D) X 76.5 CM

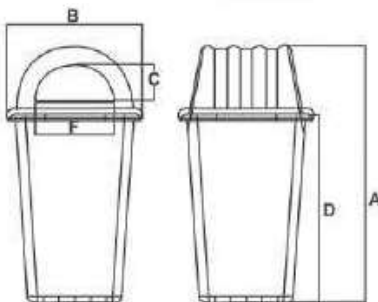




WASTE BIN WITH DOME LID 110 LTR

WASTE BIN WITH DOME LID 80 LTR

WASTE BIN WITH DOME LID 60 LTR



All the dimensions, capacity & weight are approximate & only for reference. Subject to technical modification Container according to EN standards

WASTE BINS WITH DOME LID

MODEL	60	80	110
App Volume (Ltrs)	60	80	110
Useful Load (Kgs)	37	45	55
A Over all Height (mm)	900	900	940
B Over all Width (mm)	360	430	500
B Over Depth (mm)	360	430	500
D Upper Wedge (mm)	710	695	695
FxC Window Size (mm)	270 x 145	265 x 135	340 x 160

Available Colours





WASTE BIN WITH  
POLE MOUNTED STAND

2 PCS WASTE BIN WITH  
POLE MOUNTED STAND

WASTE BINS DOME LID WITH STAND

ITEM CODE	CAPACITY
WASTE BIN WITH POLE MOUNTED STAND 60	60 LTR
WASTE BIN WITH POLE MOUNTED STAND 80	80 LTR
WASTE BIN WITH POLE MOUNTED STAND 110	110 LTR
2 PCS WASTE BIN WITH POLE MOUNTED STAND 60	60 LTR
2 PCS WASTE BIN WITH POLE MOUNTED STAND 80	80 LTR
2 PCS WASTE BIN WITH POLE MOUNTED STAND 110	110 LTR





एक कदम स्वच्छता की ओर  
Swachh Bharat Abhiyan  
EK KADAM SWACHHATA KI ORE



90



70



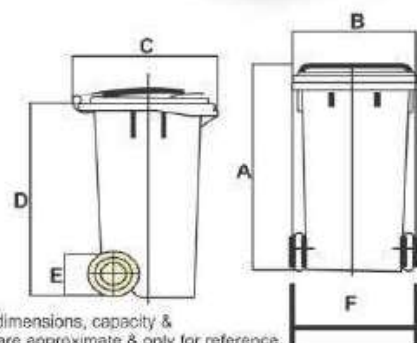
45

WASTE BIN

MODEL	45	70	90
App Volume (Ltrs)	45	70	90
Article Weight (Kgs)	2.30	2.85	5.84
Useful Load (Kgs)	25	28	32
A Over all Height (mm)	517	725	770
B Over all Width (mm)	405	405	490
C Over Depth (mm)	456	456	550
D Upper Edge (mm)	480	685	700
E Wheel Dia (Ø) (mm)	---	---	---
F Distance	---	---	---

Without Wheel

Available Colours



All the dimensions, capacity & weight are approximate & only for reference. Subject to technical modification Container according to EN standards

## SWING BINS & WASTE BINS

WHEEL WASTE BIN WITH PEDAL 90

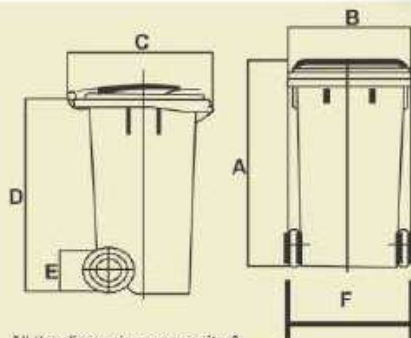


WHEEL WASTE BIN 65 WITH PEDAL



WHEEL WASTE BIN 90

### Available Colours



All the dimensions, capacity & weight are approximate & only for reference. Subject to technical modification Container according to EN standards

### WHEEL WASTE BINS

MODEL	65	90
App Volume (Ltrs)	65	90
Article Weight (Kgs)	3.8	5.9
Useful Load (Kgs)	28	32
A Over all Height (mm)	725	770
B Over all Width (mm)	405	490
C Over Depth (mm)	458	550
D Upper Edge (mm)	685	700
E Wheel Dia (Ø) (mm)	125	200
F Wheel to Wheel Distance (mm)	310	430



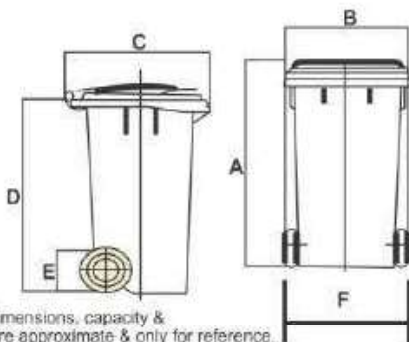
एक कदम स्वच्छता की ओर  
Swachh Bharat Abhiyaan  
EK KADAM SWACHHATA KI ORE



120

WHEEL WASTE  
BIN 120

WHEEL WASTE BIN 120  
WITH PEDAL



All the dimensions, capacity & weight are approximate & only for reference. Subject to technical modification Container according to EN standards

WHEEL WASTE BINS

MODEL	120
App Volume (Ltrs)	120
Article Weight (Kgs)	7.5
Useful Load (Kgs)	60
A	Over all Height (mm) 980
B	Over all Width (mm) 490
C	Over Depth (mm) 550
D	Upper Edge (mm) 910
E	Wheel Dia (Ø) (mm) 200
F	Wheel to Wheel Distance (mm) 470

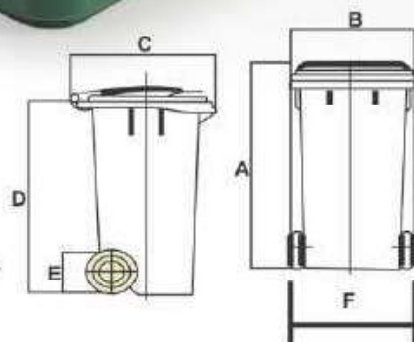
Available Colours





WHEEL WASTE BIN 240 WITH PEDAL

WHEEL WASTE BIN 240



All the dimensions, capacity & weight are approximate & only for reference. Subject to technical modification Container according to EN standards

WHEEL WASTE BINS WITH PEDAL

MODEL	240
App Volume (Ltrs)	240
Article Weight (Kgs)	12.1
Useful Load (Kgs)	100
A Over all Height (mm)	1075
B Over all Width (mm)	580
C Over Depth (mm)	740
D Upper Edge (mm)	1000
E Wheel Dia (Ø) (mm)	200
F Wheel to Wheel Distance (mm)	570

## SWING BINS & WASTE BINS

### WHEEL WASTE BINS

ITEM CODE	CAPACITY	DIMENSION / WITH WHEEL
WHEEL WASTE BIN 660	660 LTR	137 X 93 X 126 CM
WHEEL WASTE BIN 1100	1100 LTR	137 X 104 X 132 CM



WHEEL WASTE BIN 660



एक कदम स्वच्छता की ओर

Swachh Bharat Abhiyaan

EK KADAM SWACHHATA KI ORE